

FEATURES

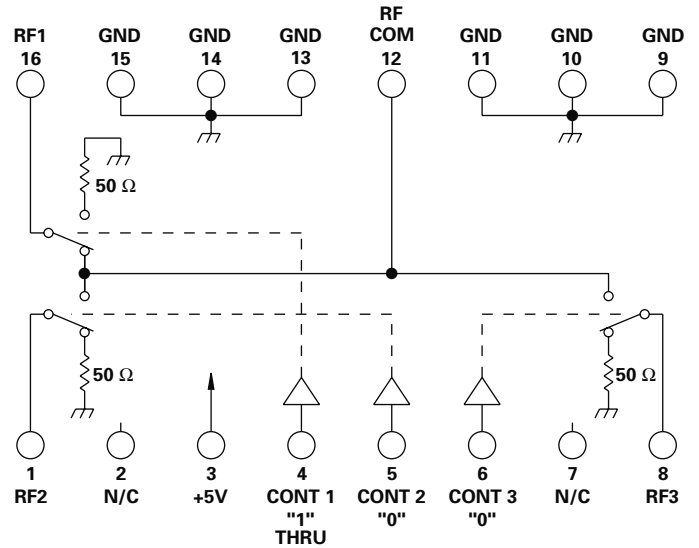
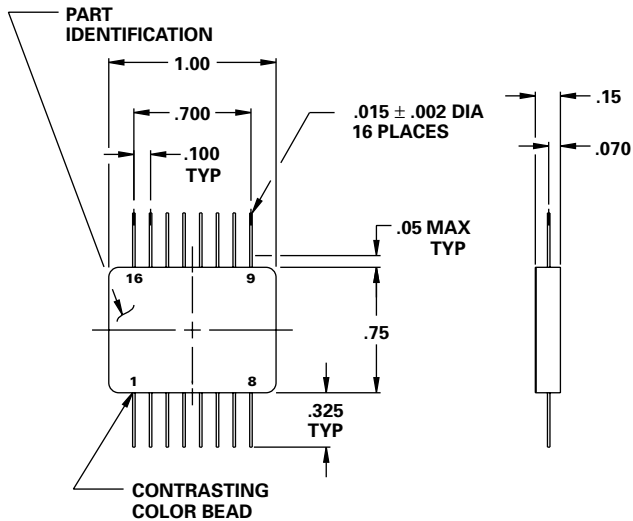
- 10 - 1000 MHz
- 30 nSec Switching Speed
- 30 mV Transients
- 0.3 mA @ +5 VDC
- 16 Pin Flatpack



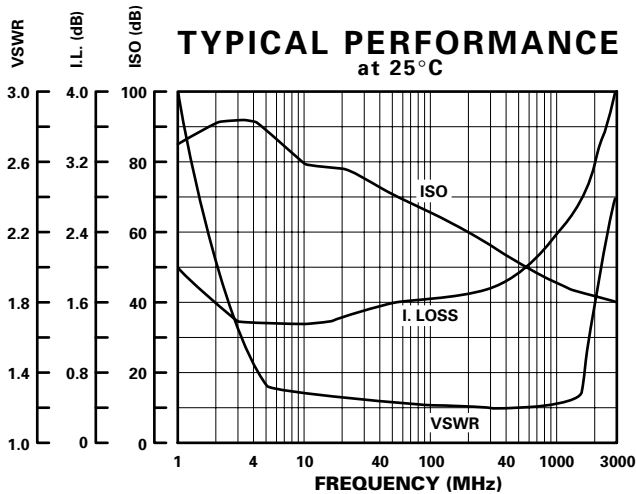
**MODEL NO.
DSW38030**

GaAs SP3T

SP3T



N/C=NO INTERNAL CONNECTION



GUARANTEED PERFORMANCE

Parameter	Min	Typ	Max	Units	Conditions
Operating Frequency	10		1000	MHz	
DC Current		0.3	1	mA	At +5 VDC Supply
Control Type		TTL			3 Lines Logic "1" = Thru Logic "0" = Isolation
Control Current	High	0	50	μA	VIH = +2.0V
	Low	0	-500	μA	VIL = +0.8V
Insertion Loss		1.5	2.0	dB	
Isolation	40	48		dB	
VSWR	Thru	1.2/1	1.4/1		
	Termination		2.0/1		
Impedance		50		OHMS	
Switching Speed		30	100	nSEC	50% TTL to 90% / 10% RF
Transition (Rise/Fall) Time		12		nSEC	90% / 10% or 10% / 90% RF
Switching (Video) Transients		30	100	mV	Peak Value
Intercept Points	2nd	+62		dBm	70 / 50 MHz
	3rd	+48		dBm	35 / 50 MHz
RF Power	Operate	+24	+23	dBm	1 dB Compression
	No Damage		+27	dBm	
Operating Temperature	-40	+25	+90	°C	TA